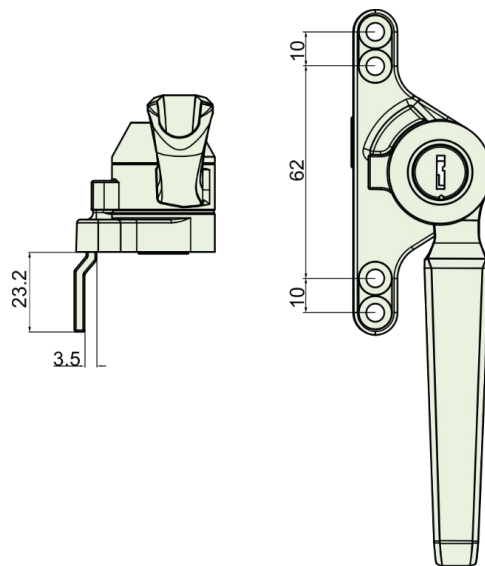


## PRODUCT FEATURES & TECHNICAL INFORMATION

- A Multipoint handle which replicates a traditional handle with a gear box drive blade for concealed multipoint rail systems
- Variety of drive blades enables compatibility with many window systems, see separate drive blades options page at the end of this section
- Screw cover caps are supplied for a contemporary look and colour fixing screws are available for a traditional appearance
- Suitable for M4 countersunk fixing screws
- Available in several finishes or matching RAL finish on request
- Complimentary B395 design pegstay available in 3 sizes
- Complimentary door handles and escutcheons available for suited look

### MP196 Multipoint Modern Straight Classic Handle



MP196N12 – Non Locking

MP196K12- Key Locking

Dimensions with Standard Drive Blade